

Power Inductor CPN0603 Series



PART NUMBERING GUIDE

CPN0603-1R0 M TR

INDUCTANCE CODE _____

TOLERANCE _____

M=20%

PACKAGING OPTIONS

Blank=Bulk,

TR= Tape and Reel

GENERAL SPECIFICATIONS

Inductance Range

1.00 μ H to 1000 μ H

Tolerance

20%

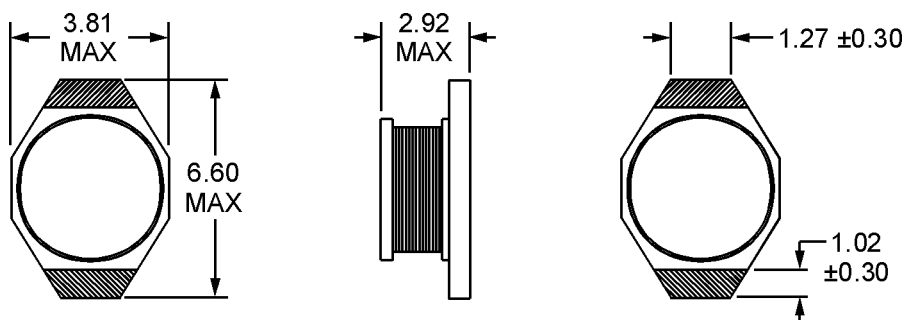
Operating Temperature

-40°C to +85°C

SPECIFICATIONS BY INDUCTANCE VALUE

Inductance Code	Inductance (μ H)	DC Resistance MAX (Ω)	IDC TYP (A)
1R0	1.0	0.050	2.90
1R5	1.5	0.050	2.60
2R2	2.2	0.070	2.30
3R3	3.3	0.080	2.00
4R7	4.7	0.090	1.50
6R8	6.8	0.130	1.20
100	10	0.160	1.10
150	15	0.230	0.90
220	22	0.370	0.70
330	33	0.510	0.58
470	47	0.640	0.50
680	68	0.860	0.40
101	100	1.270	0.31
151	150	2.000	0.25
221	220	3.110	0.20
331	330	3.800	0.16
471	470	5.000	0.15
681	680	9.200	0.12
102	1000	13.800	0.07

MECHANICAL DIMENSIONS



Dimensions in mm