

Wire Wound CWG1008 Series



PART NUMBERING GUIDE

CWG1008 - J 6R8 TR

TOLERANCE

K=±10%
J=±5%
G=±2%

INDUCTANCE CODE

PACKAGING OPTIONS

Blank=Bulk,
TR= Tape and Reel
(2000pcs per reel)

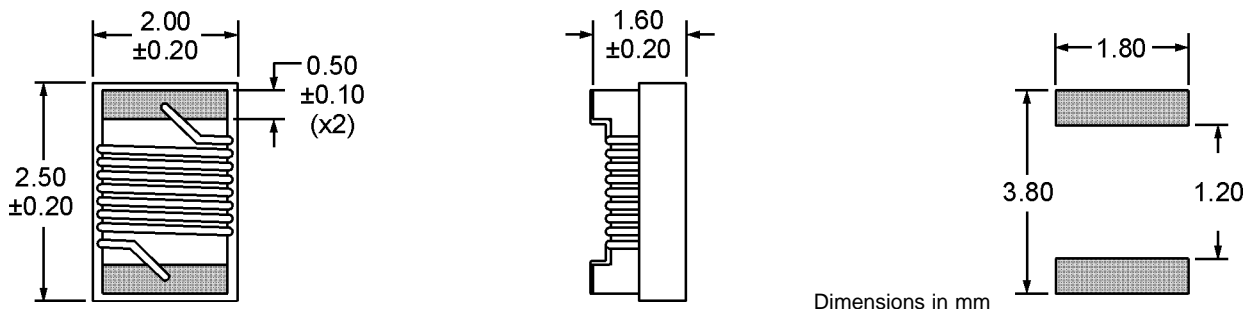
GENERAL SPECIFICATIONS

Inductance Range	1.2µH to 47µH
Tolerance	±10%, ±5%, or ±2%
Operating Temperature	-40°C to +85°C
Construction	Ferrite

SPECIFICATIONS BY INDUCTANCE VALUE

Inductance Code	L (µH)	L Test Freq. (MHz)	Available Tolerance	Q MIN	Q Test Freq. (MHz)	SRF MIN (MHz)	DCR MAX (Ohms)	IDC MAX (mA)
1R2	1.2	7.96	K, J, G	25	7.96	280	1.30	230
1R5	1.5	7.96	K, J, G	25	7.96	250	1.65	220
1R8	1.8	7.96	K, J, G	25	7.96	200	2.20	210
2R2	2.2	7.96	K, J, G	25	7.96	160	2.35	200
2R7	2.7	7.96	K, J, G	25	7.96	130	2.60	195
3R3	3.3	7.96	K, J, G	25	7.96	80	2.85	185
3R9	3.9	7.96	K, J, G	25	7.96	50	4.00	180
4R7	4.7	7.96	K, J, G	25	7.96	45	4.30	175
5R6	5.6	7.96	K, J, G	25	7.96	42	2.60	170
6R8	6.8	7.96	K, J, G	25	7.96	39	2.80	165
8R2	8.2	7.96	K, J, G	25	7.96	36	3.05	160
100	10	2.52	K, J, G	15	2.52	33	3.50	150
120	12	2.52	K, J, G	15	2.52	30	3.60	140
150	15	2.52	K, J, G	15	2.52	26	3.80	130
180	18	2.52	K, J, G	15	2.52	24	4.50	120
220	22	2.52	K, J, G	15	2.52	22	4.80	110
270	27	2.52	K, J, G	15	2.52	21	5.30	95
330	33	2.52	K, J, G	15	2.52	20	6.10	85
390	39	2.52	K, J, G	15	2.52	18	8.30	60
470	47	2.52	K, J, G	15	2.52	17	11.40	45

MECHANICAL DIMENSIONS



3545B Cadillac Avenue, Costa Mesa, CA., 92626-1401 • Phone: (714) 708-8715 • Fax: (714) 708-8719
Email: ct-sales@coiltechinc.com • Internet: <http://www.coiltechinc.com>

Specifications subject to change without notice. • Contact factory for latest revision • 9/02 • (NM80)