

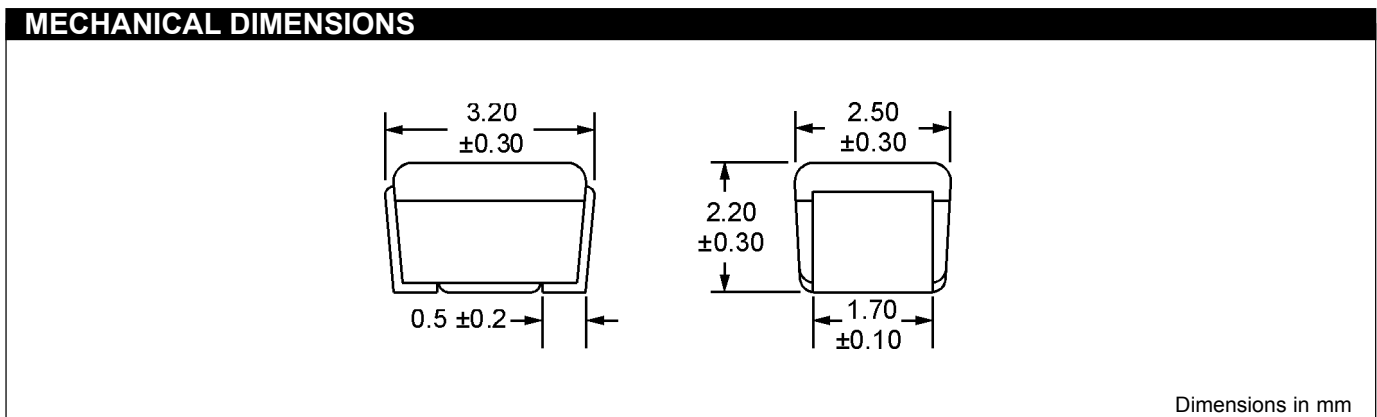
# Wire Wound Chip CWS1210 Series



PART NUMBERING GUIDE	
<b>CWS1210 - 470 J TR</b>	
INDUCTANCE CODE _____	PACKAGING OPTIONS Blank=Bulk, TR=Tape and Reel
TOLERANCE _____ K=10% J=5%	

GENERAL SPECIFICATIONS	
Inductance Range	0.01μH to 330μH
Tolerance	10% or 5%
Operating Temperature	-25°C to +85°C
Construction	Ferrite Core

SPECIFICATIONS BY INDUCTANCE VALUE													
L Code	L (μH)	Q Min	Test Freq (MHz)	SRF Min (MHz)	DCR Max (Ω)	IDC Max (mA)	L Code	L (μH)	Q Min	Test Freq (MHz)	SRF Min (MHz)	DCR Max (Ω)	IDC Max (mA)
10N	0.010	15	100.0	2500	0.13	450	2R2	2.2	30	7.96	75	1.00	320
12N	0.012	17	100.0	2300	0.14	450	2R7	2.7	30	7.96	70	1.10	290
15N	0.015	19	100.0	2100	0.16	450	3R3	3.3	30	7.96	60	1.20	260
18N	0.018	21	100.0	1900	0.18	450	3R9	3.9	30	7.96	55	1.30	250
22N	0.022	23	100.0	1700	0.20	450	4R7	4.7	30	7.96	50	1.50	220
27N	0.027	23	100.0	1500	0.22	450	5R6	5.6	30	7.96	47	1.60	200
33N	0.033	25	100.0	1400	0.24	450	6R8	6.8	30	7.96	43	1.80	180
39N	0.039	25	100.0	1300	0.27	450	8R2	8.2	30	7.96	40	2.00	170
47N	0.047	26	100.0	1200	0.30	450	100	10.0	30	2.52	36	2.10	150
56N	0.056	26	100.0	1100	0.33	450	120	12.0	30	2.52	33	2.50	140
68N	0.068	27	100.0	1000	0.36	450	150	15.0	30	2.52	30	2.80	130
82N	0.082	27	100.0	900	0.40	450	180	18.0	30	2.52	27	3.30	120
R10	0.10	28	100.0	700	0.44	450	220	22.0	30	2.52	25	3.70	110
R12	0.12	30	25.2	500	0.22	450	270	27.0	30	2.52	20	5.00	80
R15	0.15	30	25.2	450	0.25	450	330	33.0	30	2.52	17	5.60	70
R18	0.18	30	25.2	400	0.28	450	390	39.0	30	2.52	16	6.40	65
R22	0.22	30	25.2	350	0.32	450	470	47.0	30	2.52	15	7.00	60
R27	0.27	30	25.2	320	0.36	450	560	56.0	30	2.52	13	8.00	55
R33	0.33	30	25.2	300	0.40	450	680	68.0	30	2.52	12	9.00	50
R39	0.39	30	25.2	250	0.42	450	820	82.0	30	2.52	11	10.00	45
R47	0.47	30	25.2	220	0.50	450	101	100.0	20	0.796	10	10.00	40
R56	0.56	30	25.2	180	0.55	450	121	120.0	20	0.796	10	11.00	70
R68	0.68	30	25.2	160	0.60	450	151	150.0	20	0.796	8	15.00	65
R82	0.82	30	25.2	140	0.65	450	181	180.0	20	0.796	7	17.00	60
1R0	1.0	30	7.96	120	0.70	400	221	220.0	20	0.796	7	21.00	50
1R2	1.2	30	7.96	100	0.75	390	271	270.0	20	0.796	6	28.00	50
1R5	1.5	30	7.96	85	0.85	370	331	330.0	20	0.796	5	34.00	50
1R8	1.8	30	7.96	80	0.90	350							



3545B Cadillac Avenue, Costa Mesa, CA., 92626-1401 • Phone: (714) 708-8715 • Fax: (714) 708-8719

**A8**

Email: [ct-sales@coiltechinc.com](mailto:ct-sales@coiltechinc.com) • Internet: <http://www.coiltechinc.com>

Specifications subject to change without notice. • Contact factory for latest revision • 7/03 • (NM02)