

Power Inductor CPN7328 Series



PART NUMBERING GUIDE

CPN7328-100 M TR	
INDUCTANCE CODE _____	PACKAGING OPTIONS
TOLERANCE _____	Blank=Bulk, TR= Tape and Reel (250pcs per reel)
M=20%	

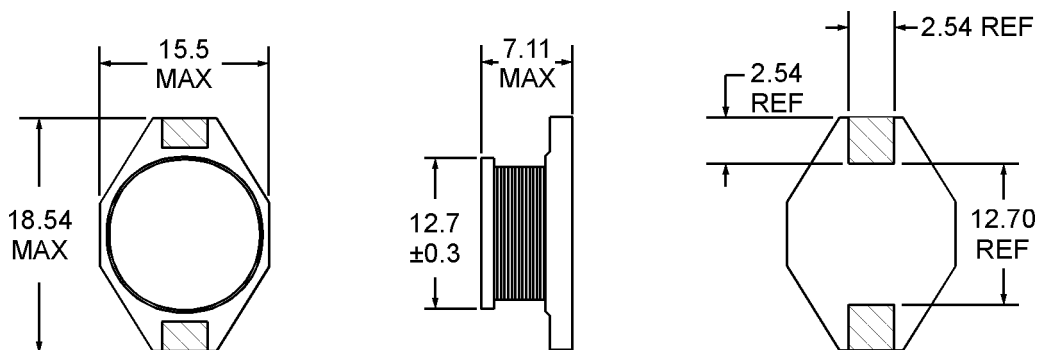
GENERAL SPECIFICATIONS

Inductance Range	10 μ H to 1000 μ H
Tolerance	20%
Operating Temperature	-40°C to +85°C

SPECIFICATIONS BY INDUCTANCE VALUE

Inductance Code	Inductance (μ H)	DCR (Ohms Max)	Test Frequency	Isat MAX (Amps)	Irms MAX (Amps)
1R0	1.0	0.090	100kHz	20.0	8.60
2R2	2.2	0.014	100kHz	16.0	7.10
3R3	3.3	0.018	100kHz	14.0	6.20
5R6	5.6	0.020	100kHz	12.0	5.30
100	10	0.031	100kHz	10.0	4.30
150	15	0.036	100kHz	8.0	4.00
220	22	0.047	100kHz	7.0	3.50
330	33	0.066	100kHz	5.5	3.00
470	47	0.086	100kHz	4.5	2.60
680	68	0.130	100kHz	3.5	2.30
101	100	0.190	100kHz	3.0	1.80
151	150	0.250	100kHz	2.6	1.50
221	220	0.380	100kHz	2.4	1.20
331	330	0.560	100kHz	1.9	1.00
471	470	0.850	100kHz	1.4	0.82
681	680	1.100	100kHz	1.2	0.72
102	1000	1.800	100kHz	1.0	0.56

MECHANICAL DIMENSIONS



Dimensions in mm