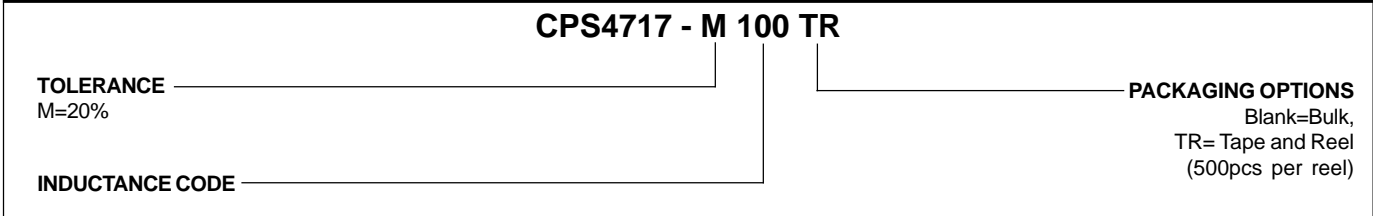


Shielded Power Inductor *CPS4717* Series



PART NUMBERING GUIDE



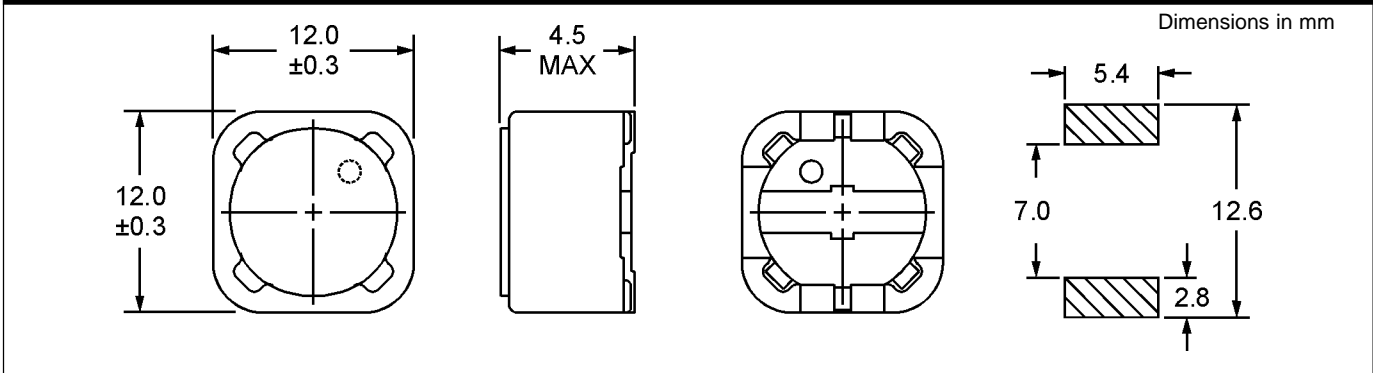
GENERAL SPECIFICATIONS

Inductance Range	3.9μH to 330μH
Tolerance	20%
Construction	Ferrite Core

SPECIFICATIONS BY INDUCTANCE VALUE

Inductance Code	Inductance (μH)	Test Frequency (KHz)	DCR Max (Ohms)	IDC Max (A)
3R9	3.9	100	0.015	6.5
4R7	4.7	100	0.018	5.7
6R8	6.8	100	0.023	4.9
100	10	100	0.028	4.5
120	12	100	0.038	4.0
150	15	100	0.050	3.2
180	18	100	0.057	3.1
220	22	100	0.066	2.9
270	27	100	0.080	2.8
330	33	100	0.097	2.7
390	39	100	0.132	2.1
470	47	100	0.150	1.9
560	56	100	0.190	1.8
680	68	100	0.220	1.5
820	82	100	0.260	1.3
101	100	100	0.308	1.2
121	120	100	0.380	1.1
151	150	100	0.530	0.95
181	180	100	0.620	0.85
221	220	100	0.700	0.80
271	270	100	0.876	0.60
331	330	100	0.990	0.50

MECHANICAL DIMENSIONS



3545B Cadillac Avenue, Costa Mesa, CA., 92626-1401 • Phone: (714) 708-8715 • Fax: (714) 708-8719

A38

Email: ct-sales@coiltechinc.com • Internet: <http://www.coiltechinc.com> Contact factory for latest revision

Specifications subject to change without notice. • 05/02 • (NM50)